

Specifications



1/4
TURN

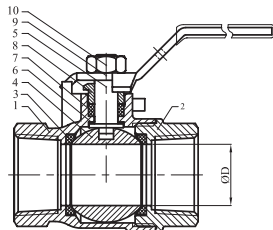
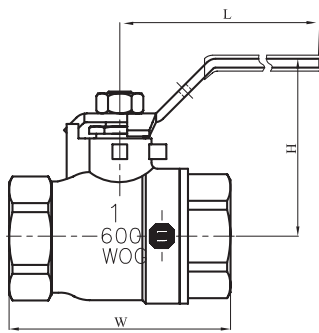
Certifications



Physical Characteristics

- Description: Full Port Ball Valve - Brass
- Connection Type: Female thread x Female thread connection
- Forged brass body
- PTFE seats
- Adjustable packing gland
- Max. Operating Temp. Rating: 248° F
- Max. Operating Pressure Rating: 600 PSI non-shock WOG - 150 WSP (1/2" - 2")
- Max. Operating Pressure Rating: 400 PSI non-shock WOG (2-1/2" - 4") 125 WSP (2-1/2"-4")
- Meets ANSI/NSF 61 Low Lead Requirements (1/4"-2")
- CGA CR91-002 (1/2"-2")
- CGA 3.16 Certified (1/2"-2") for use on piping
- ANSI 21.15/CSA 9.1 Certified (1/2"-2") for appliances, appliance connectors, and hose-end valves
- ANSI / ASME B 16.33 for use with natural, manufactured, mixed and liquified petroleum gases or propane gas and LP gas-air mixtures

VBV-PGF-B1PA
 VBV-PGF-B2PA
 VBV-PGF-B3PA
 VBV-PGF-B4PA
 VBV-PGF-B5PA
 VBV-PGF-B6PA
 VBV-PGF-B7PA
 VBV-PGF-B8PA
 VBV-PGF-B9PA
 VBV-PGF-B9PA
 VBV-PGF-B10PA
 VBV-PGF-B11PA
 VBV-PGF-B1B
 VBV-PGF-B2B
 VBV-PGF-B3B
 VBV-PGF-B4B
 VBV-PGF-B5B
 VBV-PGF-B6B
 VBV-PGF-B7B
 VBV-PGF-B8B
 VBV-PGF-B9B
 VBV-PGF-B9B
 VBV-PGF-B10B
 VBV-PGF-B11B



NO.	DESCRIPTION	MATERIAL
1	Body	ASTM B124 C3770
2	Cap	ASTM B124 C3770
3	Seat	PTFE
4	Ball	ASTM (B16 C36000) ASTM (B124 C37700)
5	Stem	ASTM B16 C36000
6	Thrust washer	PTFE
7	Packing	PTFE
8	Gland	ASTM B16 C36000
9	Handle	Carbon Steel
10	Nut	SS41

PART NO.	SIZE	H	L	W	D	WEIGHT (g)
VBV-PGF-B1PA	1/4"	1.37	3.23	1.81	0.37	142
VBV-PGF-B2PA	3/8"	1.37	3.23	1.81	0.37	142
VBV-PGF-B3PA	1/2"	1.45	3.23	2.12	0.50	190
VBV-PGF-B4PA	3/4"	1.78	3.94	2.41	0.75	318
VBV-PGF-B5PA	1"	2.29	4.72	2.96	0.98	532
VBV-PGF-B6PA	1-1/4"	2.44	4.72	3.28	1.22	727
VBV-PGF-B7PA	1-1/2"	3.00	7.09	3.67	1.50	1236
VBV-PGF-B8PA	2"	3.30	7.09	4.21	1.97	2028
VBV-PGF-B9PA	2-1/2"	4.59	8.66	5.38	2.50	3667
VBV-PGF-B10PA	3"	4.92	8.66	6.06	3.00	4784
VBV-PGF-B11PA	4"	5.73	9.84	7.39	9.87	8356

PART NO.	SIZE	H	L	W	D	WEIGHT (g)
VBV-PGF-B1B	1/4"	1.37	3.23	1.81	0.37	142
VBV-PGF-B2B	3/8"	1.37	3.23	1.81	0.37	142
VBV-PGF-B3B	1/2"	1.45	3.23	2.12	0.50	190
VBV-PGF-B4B	3/4"	1.78	3.94	2.41	0.75	318
VBV-PGF-B5B	1"	2.29	4.72	2.96	0.98	532
VBV-PGF-B6B	1-1/4"	2.44	4.72	3.28	1.22	727
VBV-PGF-B7B	1-1/2"	3.00	7.09	3.67	1.50	1236
VBV-PGF-B8B	2"	3.30	7.09	4.21	1.97	2028
VBV-PGF-B9B	2-1/2"	4.59	8.66	5.38	2.50	3667
VBV-PGF-B10B	3"	4.92	8.66	6.06	3.00	4784
VBV-PGF-B11B	4"	5.73	9.84	7.39	9.87	8356